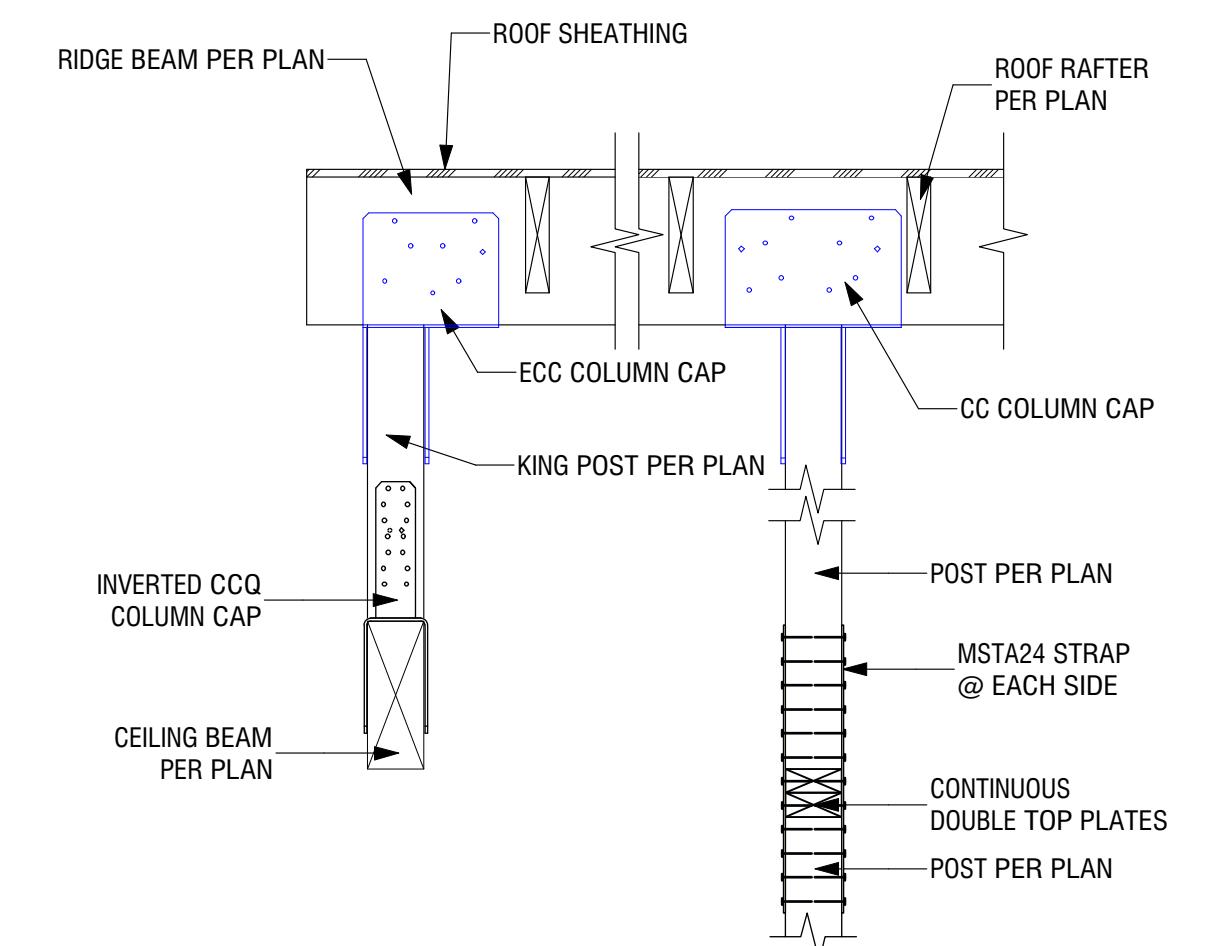
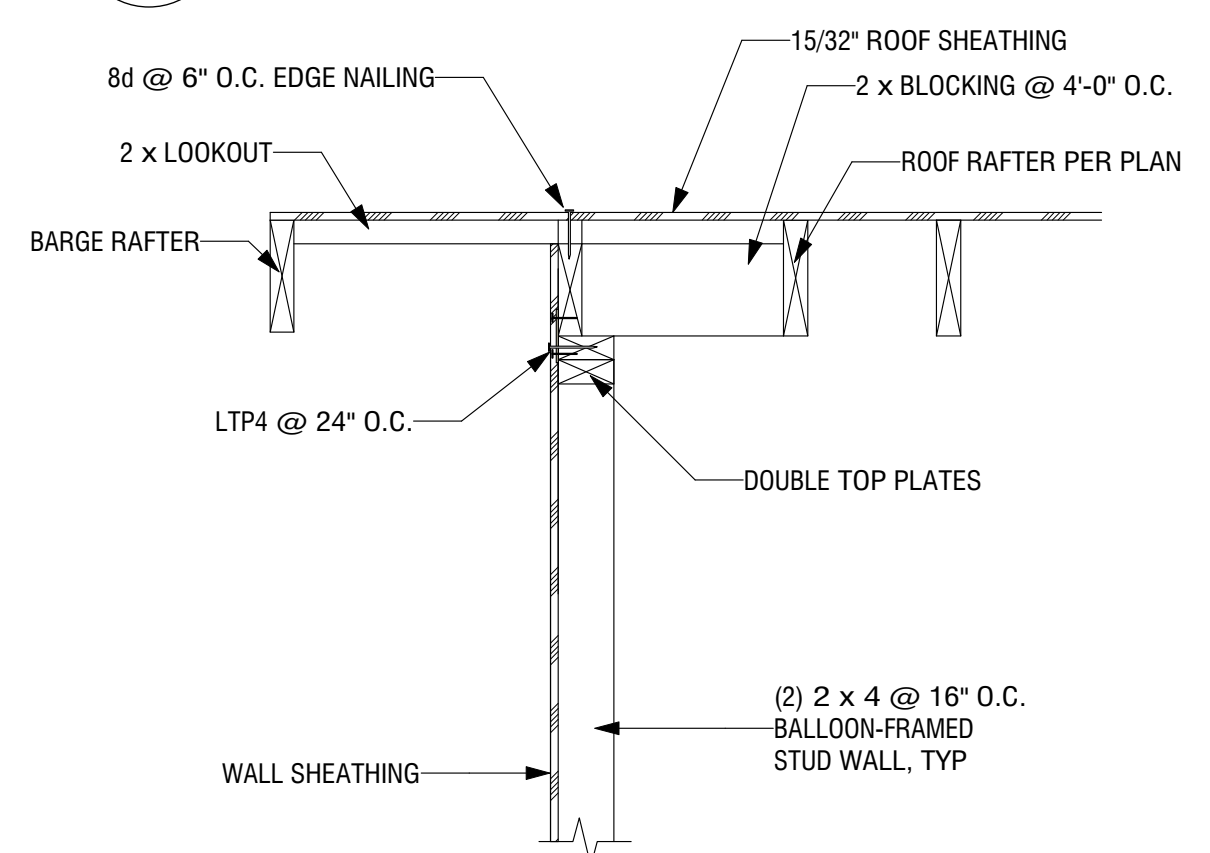


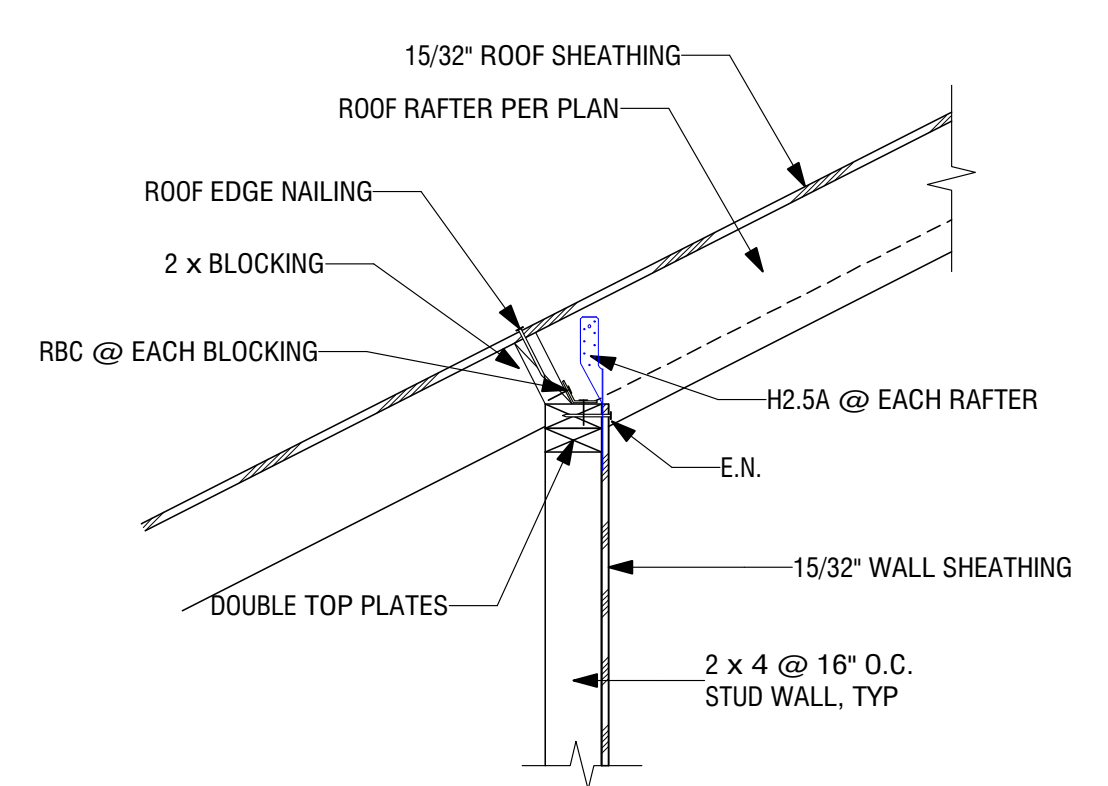
.. **CEILING FRAMING PLAN**  
Scale: 1/4" = 1'-0"



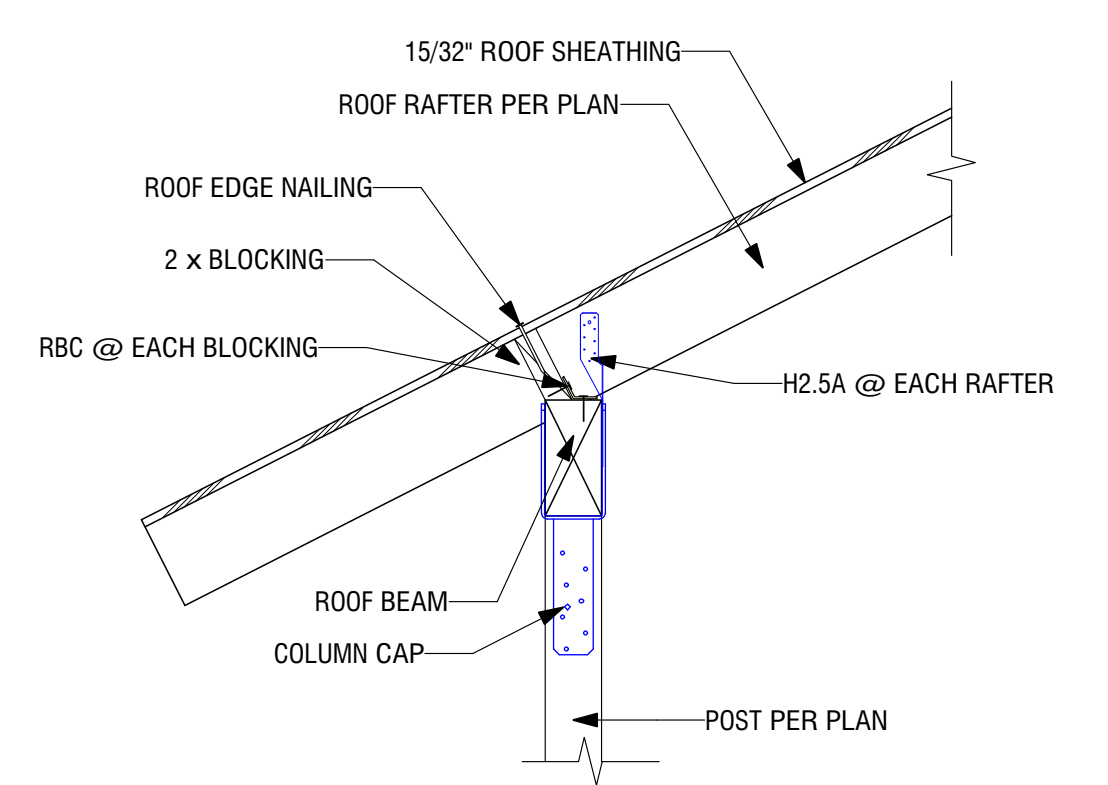
1 **RIDGE & HIP SUPPORT**  
1" = 1'-0"



2 **BALLOON-FRAMED WALL**  
Scale: 1" = 1'-0"



3 **SHEAR TRANSFER @ ROOF**  
Scale: 1" = 1'-0"



4 **SHEAR TRANSFER @ ROOF**  
Scale: 1" = 1'-0"

Engineer:  
**DB ENGINEERING**  
2021 The Alameda, Suite 360  
San Jose, CA 95126  
Phone: (408) 621-0114  
Email:  
db.dbengineering@gmail.com



Designer:  
**Michael S. Radu**  
Pacific Blue Developments  
35 Colleen Way  
Campbell, CA 95008  
408-504-6826

Project:  
**INTERIOR REMODEL**  
  
**1137 VIA JOSE  
SAN JOSE,  
CA 95120**

Job Number:  
21256

Date:  
December 18, 2021

Revisions:
